



EvoMotion® piston pumps

FOR HIGH AND LOW PRESSURE APPLICATIONS



- Anti pulsation technology
- Efficient and economical
- Versatile and reliable

EvoMotion®

Economical, efficient, and reliable!

With this new economical and efficient pump generation, WAGNER covers wide sections of the market for industrial applications.

The pneumatic EvoMotion piston pumps are available as **low-pressure feed pumps and high-pressure pumps**.

New, with Anti Pulsation Technology!

The **external switchover valve** functions in an oil-free manner, without packing and with low friction, which means that it is thus maintenance-friendly. It already makes pulsation-free operation possible at a pressure under 2 bar.

Via the **quick exhaust valve**, the pump can build up the necessary capacity directly and without delay. This reduces the pulsation and the icing problem.

- 1 The **anti pulsation tank** (optional) with back pressure valve and filter compensates the pressure drop at the reversing points of the piston. In this way, the pulsation is further reduced and an even material flow is achieved for excellent surfaces.

Each of these features has its own individual advantages. All three in combination characterize the superiority of the **Anti Pulsation Technology** of WAGNER.

- 2 **Efficient air motors**

They have great power reserves by means of which they convert the energy perfectly into pump output.

- 3 **Pressure regulator with overpressure and relief valve**

This accessory provides maximum safety for the user.

- 4 **Maintenance-friendly color levels**


According to the type and size, EvoMotion pumps have ideally adapted, reliable, maintenance-friendly color levels.

- 5 **Spraypacks, suction systems, and accessories**

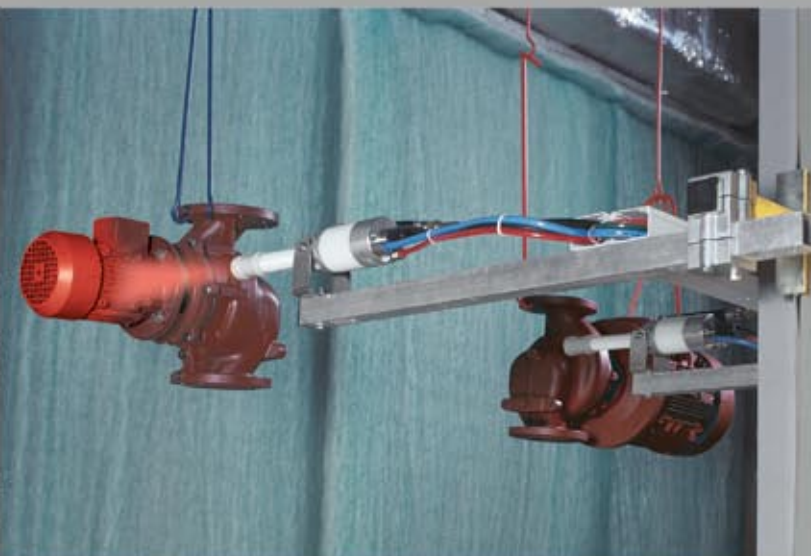
EvoMotion pumps have a wide variety of accessories.

Anti Pulsation Technology:
look for this label!



WAGNER EvoMotion pumps correspond to the ATEX directives and the CE standard. 

Highly versatile!



Whether AirCoat, Airless, or electrostatic, whether as a low-pressure pump for paint supplies or as a mobile spraypack – WAGNER EvoMotion pumps always offer the right solution.

Which pump is suited for which area of application and which material is detailed on the following pages.

EvoMotion low-pressure piston pumps provide reliable paint supply for a constant, pulsation-free material flow.

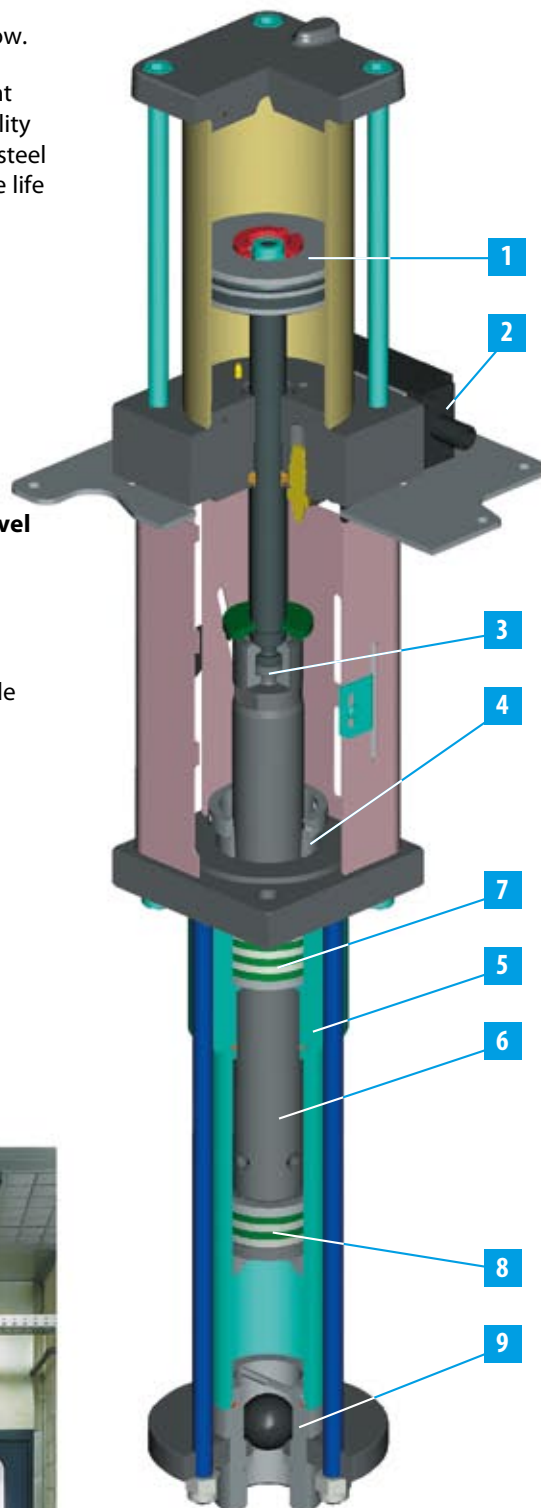
The low-wearing, corrosion-resistant cylinders and pistons, the high-quality packing material, and the stainless steel valve seats guarantee a long service life and reduced servicing costs.

Efficient air motors

- 1 Pressure plate
- 2 External switchover valve

Maintenance-friendly color level

- 3 Quick-coupling system
- 4 Separating agent container
- 5 Specially coated pump cylinder
- 6 Piston with special nickel-carbide hardness coating
- 7 Static packing
- 8 Mobile packing
- 9 Valve seat



AREAS OF APPLICATION

For large supply systems in the furniture industry, agricultural machine construction, leather coating.

MATERIALS

Solvent-based paints, high-viscosity materials, adhesives, primers, fillers, oils, epoxy and polyurethane paints, release agents

TECHNICAL DATA

Pump ratio	4:1
Volumetric flow per double stroke	460 cm ³ 28.1 cin
Volume at 60 double strokes	27.6 l/min 0.97 cfm
Volume	55 l/min
Max. free discharge	1.94 cfm
Max. operating overpressure	32 bar 464 psi
Air inlet pressure	8 bar 116 psi
Air consumption per DS at 6 bar / 87 psi	11.5 nl 0.41 scf
Noise pressure level at 6 bar air pressure	76 dB(A)



EvoMotion 8-235

AREAS OF APPLICATION

For small and medium-sized supply systems in the wood and furniture industries, agricultural machine construction, leather coating.

MATERIALS

Solvent-based paints, low and medium viscosity materials, high solids, primers, top coats, fillers, epoxy and polyurethane paints, oils, adhesives.

TECHNICAL DATA

Pump ratio	8:1
Volumetric flow per double stroke	235 cm ³ 14.3 cin
Volume at 60 double strokes	14.1 l/min 0.50 cfm
Volume	44 l/min
Max. free discharge	1.55 cfm
Max. operating overpressure	64 bar 928 psi
Air inlet pressure	8 bar 116 psi
Air consumption per DS at 6 bar / 87 psi	11.8 nl 0.42 scf
Noise pressure level at 6 bar air pressure	76 dB(A)



EvoMotion 5-235

AREAS OF APPLICATION

For small and medium-sized supply systems and 2K low-pressure dosing in the wood and furniture industries, agricultural machine construction, leather coating.

MATERIALS

Solvent-based paints, low and medium viscosity materials, high solids, primers, top coats, fillers, epoxy and polyurethane paints, oils, adhesives.

TECHNICAL DATA

Pump ratio	5:1
Volumetric flow per double stroke	235 cm ³ 14.3 cin
Volume at 60 double strokes	14.1 l/min 0.50 cfm
Volume	21 l/min
Max. free discharge	0.74 cfm
Max. operating overpressure	40 bar 580 psi
Air inlet pressure	8 bar 116 psi
Air consumption per DS at 6 bar / 87 psi	6.5 nl 0.23 scf
Noise pressure level at 6 bar air pressure	69 dB(A)



EvoMotion 5-125

AREAS OF APPLICATION

Feed pump with long suction pipe for 200 liter drums in industry in general.

MATERIALS

Solvent-based paints, high-viscosity materials, adhesives, primers, fillers, oils, release agents

TECHNICAL DATA

Pump ratio	5:1
Volumetric flow per double stroke	125 cm ³ 7.6 cin
Volume at 60 double strokes	7.5 l/min 0.26 cfm
Volume	22 l/min
Max. free discharge	0.78 cfm
Max. operating overpressure	40 bar 580 psi
Air inlet pressure	8 bar 116 psi
Air consumption per DS at 6 bar / 87 psi	4 nl 0.14 scf
Noise pressure level at 6 bar air pressure	71 dB(A)



With the EvoMotion high-pressure piston pumps, WAGNER offers a variety of capacity classes for the versatile requirements of industrial surface technology.

Pump outputs (volumetric flow per double stroke) **from 15 to 235 cm³**, **working pressure** (max. operating overpressure) **from 112 to 450 bar** – to select the right pump, many parameters must be taken into consideration in addition to pump output and pressure:

- **Application technology**
- **Number of guns to be supplied**
- **Hose-length and nozzle size**

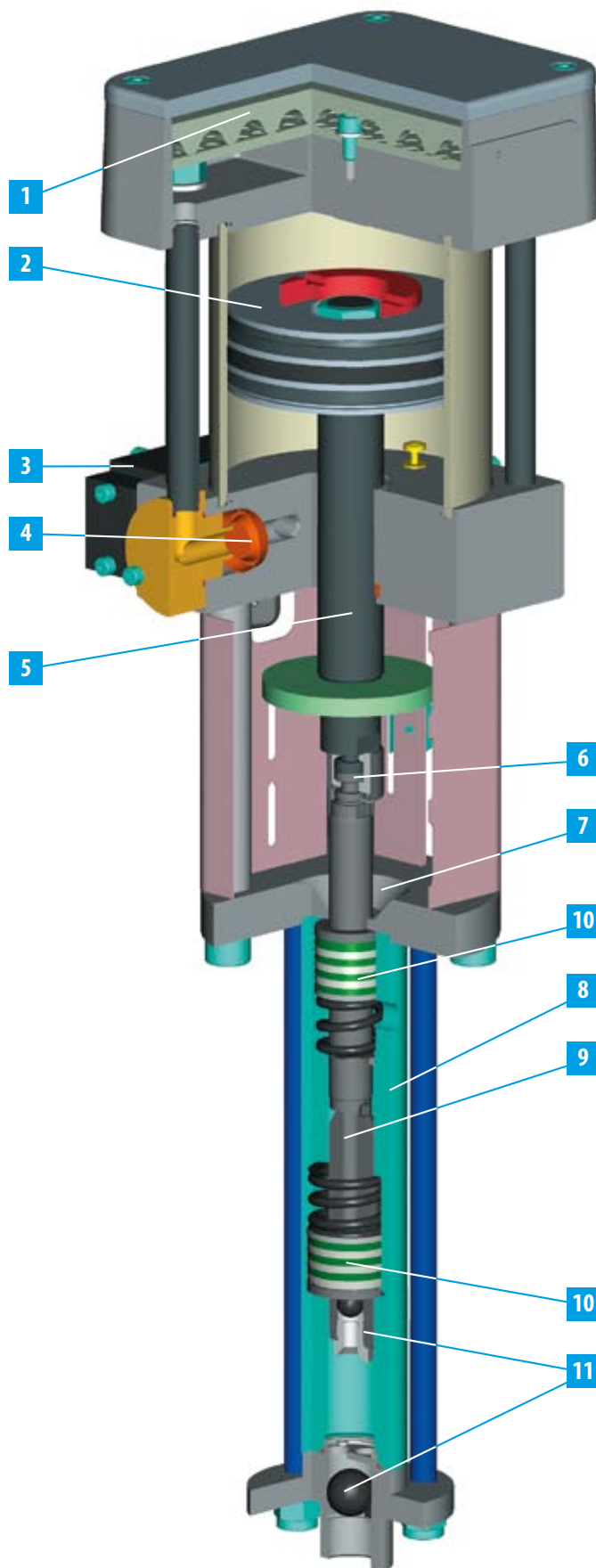
Efficient air motors

- 1** Noise-reducing foam casing
- 2** Pressure plate
- 3** External switchover valve
- 4** Quick exhaust valve
- 5** Piston rod

Maintenance-friendly color levels

- 6** Quick-coupling system
- 7** Separating agent container

- 8** Specially coated pump cylinder
- 9** Piston with special nickel-carbide hardness coating
- 10** Static self-adjusting packing
- 11** Valve seats made of stainless steel or tungsten carbide (from pump ratio of 50:1)



EvoMotion 50-235

AREAS OF APPLICATION

Universally applicable for Airless high-performance applications in the metal/steel industry, agricultural machine construction, corrosion protection, leather coating.

MATERIALS

Solvent-based paints, medium and high viscosity materials, high solids, primers, top coats, fillers, epoxy and polyurethane paints, flame-proofing, zinc primer

TECHNICAL DATA

Pump ratio	50:1
Volumetric flow per double stroke	235 cm ³ 14.3 cin
Volume at 60 double strokes	14.1 l/min 0.50 cfm
Volume	24 l/min
Max. free discharge	0.85 cfm
Max. operating overpressure	400 bar 5801 psi
Air inlet pressure	8 bar 116 psi
Air consumption per DS at 6 bar / 87 psi	50.3 nl 1.78 scf
Noise pressure level at 6 bar air pressure	79 dB(A)
Max. nozzle size at 150 bar	0.052"



EvoMotion 75-150

AREAS OF APPLICATION

Extremely strong for Airless applications in steel construction, ship building, train car construction and in the container industry.

MATERIALS

Solvent-based paints, medium and high viscosity materials, high solids, primers, top coats, fillers, epoxy and polyurethane paints, flame-proofing, zinc primer

TECHNICAL DATA

Pump ratio	75:1
Volumetric flow per double stroke	150 cm ³ 9.2 cin
Volume at 60 double strokes	9.0 l/min 0.32 cfm
Volume	16 l/min
Max. free discharge	0.57 cfm
Max. operating overpressure	450 bar 6526 psi
Air inlet pressure	6 bar 87 psi
Air consumption per DS at 6 bar / 87 psi	54.4 nl 1.92 scf
Noise pressure level at 6 bar air pressure	79 dB(A)
Max. nozzle size at 150 bar	0.043"



EvoMotion 50-150

AREAS OF APPLICATION

Universally applicable for Airless high-performance applications in the metal/steel industry, agricultural machine construction, corrosion protection.

MATERIALS

Solvent-based paints, medium and high viscosity materials, high solids, primers, top coats, fillers, epoxy and polyurethane paints, flame-proofing, zinc primer

TECHNICAL DATA

Pump ratio	50:1
Volumetric flow per double stroke	150 cm ³ 9.2 cin
Volume at 60 double strokes	9.0 l/min 0.32 cfm
Volume	20 l/min
Max. free discharge	0.71 cfm
Max. operating overpressure	400 bar 5801 psi
Air inlet pressure	8 bar 116 psi
Air consumption per DS at 6 bar / 87 psi	38.2 nl 1.35 scf
Noise pressure level at 6 bar air pressure	76 dB(A)
Max. nozzle size at 150 bar	0.043"



EvoMotion 24-150

EvoMotion 37-65

EvoMotion 31-40

AREAS OF APPLICATION

For Airless, AirCoat and electrostatic applications in the wood and furniture industries and in metalworking operations. Can supply several guns at once.

MATERIALS

Solvent-based paints, low and medium viscosity materials, primers, top coats, fillers, epoxy and polyurethane paints, oils, wood impregnation agents, adhesives

TECHNICAL DATA

Pump ratio	24:1
Volumetric flow per double stroke	150 cm ³ 9.2 cin
Volume at 60 double strokes	9.0 l/min 0.32 cfm
Volume	24 l/min
Max. free discharge	0.85 cfm
Max. operating overpressure	192 bar 2786 psi
Air inlet pressure	8 bar 116 psi
Air consumption per DS at 6 bar / 87 psi	19.9 nl 0.70 scf
Noise pressure level at 6 bar air pressure	76 dB(A)
Max. nozzle size at 150 bar	0.043"

AREAS OF APPLICATION

For Airless, AirCoat, and electrostatic applications in the wood and furniture industries, metalworking operations, steel construction, agricultural machine construction.

MATERIALS

Solvent-based paints, low, medium, and high viscosity materials, primers, top coats, fillers, epoxy and polyurethane paints

TECHNICAL DATA

Pump ratio	37:1
Volumetric flow per double stroke	65 cm ³ 4.0 cin
Volume at 60 double strokes	3.9 l/min 0.14 cfm
Volume	16 l/min
Max. free discharge	0.57 cfm
Max. operating overpressure	296 bar 4292 psi
Air inlet pressure	8 bar 116 psi
Air consumption per DS at 6 bar / 87 psi	15.7 nl 0.54 scf
Noise pressure level at 6 bar air pressure	82 dB(A)
Max. nozzle size at 150 bar	0.029"

AREAS OF APPLICATION

For AirCoat and electrostatic applications in small to medium-sized operations, cabinet making, the wood and furniture industries, metalworking operations.

MATERIALS

Solvent-based paints, low, medium, and high viscosity materials, high solids, primers, top coats, fillers, epoxy and polyurethane paints, oils and wood impregnation agents, release agents

TECHNICAL DATA

Pump ratio	31:1
Volumetric flow per double stroke	40 cm ³ 2.4 cin
Volume at 60 double strokes	2.4 l/min 0.09 cfm
Volume	16 l/min
Max. free discharge	0.57 cfm
Max. operating overpressure	248 bar 3597 psi
Air inlet pressure	8 bar 116 psi
Air consumption per DS at 6 bar / 87 psi	8.9 nl 0.31 scf
Noise pressure level at 6 bar air pressure	77 dB(A)
Max. nozzle size at 150 bar	0.023"



EvoMotion 20-60

EvoMotion 40-15

EvoMotion 14-15

AREAS OF APPLICATION

For AirCoat and electrostatic applications in small to medium-sized operations, cabinet making, the wood and furniture industries, metalworking operations.

MATERIALS

Solvent-based paints, low, medium, and high viscosity materials, primers, top coats, fillers, epoxy and polyurethane paints, oils and wood impregnation agents, emulsions, release agents

TECHNICAL DATA

Pump ratio	20:1
Volumetric flow per double stroke	60 cm ³ 3.7 cin
Volume at 60 double strokes	3.6 l/min 0.13 cfm
Volume	6.5 l/min
Max. free discharge	0.23 cfm
Max. operating overpressure	160 bar 2320 psi
Air inlet pressure	8 bar 116 psi
Air consumption per DS at 6 bar / 87 psi	6.13 nl 0.22 scf
Noise pressure level at 6 bar air pressure	71 dB(A)
Max. nozzle size at 150 bar	0.027"



AREAS OF APPLICATION

For Airless and electrostatic applications in cabinet making, the wood and furniture industries, metalworking operations.

MATERIALS

Solvent-based paints, low, medium, and high viscosity materials, primers, top coats, fillers, epoxy and polyurethane paints, oils and wood impregnation agents, release agents

TECHNICAL DATA

Pump ratio	40:1
Volumetric flow per double stroke	15 cm ³ 0.9 cin
Volume at 60 double strokes	0.9 l/min 0.032 cfm
Volume	1.7 l/min
Max. free discharge	0.06 cfm
Max. operating overpressure	320 bar 4641 psi
Air inlet pressure	8 bar 116 psi
Air consumption per DS at 6 bar / 87 psi	3.9 nl 0.14 scf
Noise pressure level at 6 bar air pressure	69 dB(A)
Max. nozzle size at 150 bar	0.013"



AREAS OF APPLICATION

For AirCoat and electrostatic applications in cabinet making and small metalworking operations. Especially for small volumes.

MATERIALS

Solvent-based paints, low-viscosity materials, top coats, epoxy and polyurethane paints, oils and wood impregnation agents, emulsions, release agents

TECHNICAL DATA

Pump ratio	14:1
Volumetric flow per double stroke	15 cm ³ 0.9 cin
Volume at 60 double strokes	0.9 l/min 0.032 cfm
Volume	1.6 l/min
Max. free discharge	0.06 cfm
Max. operating overpressure	112 bar 1625 psi
Air inlet pressure	8 bar 116 psi
Air consumption per DS at 6 bar / 87 psi	1.5 nl 0.05 scf
Noise pressure level at 6 bar air pressure	66 dB(A)
Max. nozzle size at 150 bar	0.013"



EvoMotion® spraypacks

A program that leaves nothing to be desired!



WAGNER EvoMotion piston pumps offer a whole series of spraypacks based on the application, pump size and application system.

Whether with a mounting plate or wall mount, on a pedestal, base frame, or trolley – the most common variants have been summarized in the table on the next page.





2



EvoMotion 37-65 with wall mount and suction hose in combination with a drum and drum siphon.



EvoMotion 14-15 with base frame and barrel suction pipe.

EvoMotion	50-235	75-150	50-150	24-150	37-65	31-40	20-60	40-15	14-15	
Pump on mounting plate without gun						■	■	■	■	
Pump on mounting plate, AirCoat gun, hose package						■	2	■	■	
Pump on mounting plate, Airless AG 14 gun, hose package						■		■		
Pump on trolley without gun	■	■	■	■	■	■	■	■	■	
Pump on trolley, AirCoat gun, hose package					■	■	■	■	■	
Pump on trolley, Airless AG 14 gun, hose package					1	■		■		
Pump on trolley, Airless G 15 gun, hose package	■	■	■							
Pump on wall mount without gun				■	■	■	■	■	■	
Pump on wall mount, Airless AG 14 gun, hose package					■	■		■		

The Complete WAGNER – Accessories and more!

FEEDING

In addition to the spraypacks, WAGNER offers an assortment of other accessories for the EvoMotion piston pumps.

In our catalog, the “Complete WAGNER”, you will find all products and a comprehensive program for hoses, hose connections, and so on, up to components for entire paint supply systems.

MIXING

The FlexControl mixing and dosing system is ideal for EvoMotion pumps.

APPLYING

This chapter contains all guns and their matching accessories, such as nozzles, filters, etc.

CONTROL

In the “Complete WAGNER”, we also present products regarding control, movement, etc.

AirCoat guns



Airless guns



Electrostatic guns



FlexControl



Further information can be found in the complete WAGNER catalog.

www.wagner-group.com

